

8inch LED Down Light



Model : DL-0810-T108E

Application

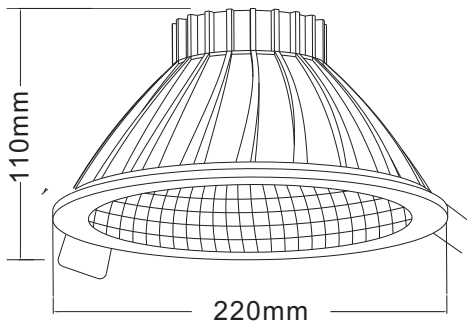
This product is good for workshop, office, bank, hospital, shopping centre, subway, school, and other indoor places which require light of high luminosity and energy-saving.

Product Advantages:

1. Energy saving: It save more than 70% energy than traditional Down Light.
2. Eco-Green: No radiation, no mercury, no lead, no harmful elements, all products can be recycled
3. High light efficiency: The product can reach, 100lm/W
4. It is safe and easy to be used and installed



Model:DL-0810-T108E



Standard

Outer Diameter	Ø220mm
Hole Diameter	Ø190mm
Height	110mm
Voltage (V)	AC85-265V
Beam Angle	90 degree
Color Temp	2700K~6500K
CRI	>80
Luminous Efficacy	100 lm/W
Luminous Flux(lm)	100lm
Power Factor	> 0.92
Power (W)	10W
Material	AL 6063
Life Span (Hrs)	up to 50,000
Operating Temperature	-20°C~45°C