

Wall Pack Light

Series Type: WL-A40

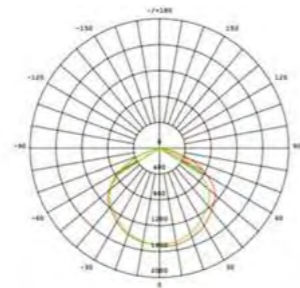
Features 產品特點 >>

- High light efficiency: 100 lm/W
- Well sealed enclosure, IP65 waterproof
- Long life spans High quality driver
- Easy and firm installation
- Suitable for subway station, tunnel and bridge, etc

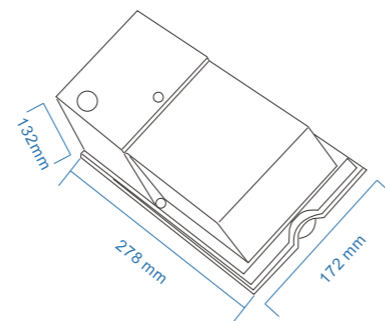
- 高光效:100 lm / W
- 外殼密封性好, 防水等級IP65
- 使用壽命長, 驅動器高品質
- 安裝輕鬆且牢固
- 適用於地鐵站, 隧道, 橋樑等



Flick Free
(無閃頻)
保護視力



Average Beam Angle (50%) 117.7Deg



Unit : mm

Specification 產品規格 >>

Model 型號	Voltage 電壓	Wattage 功率	Size 尺寸	Lamp Life 光度壽命	Colour Temp 色溫	Lumen Output 輸出流明	Color Rendering 顯色度	Beam Angle 光速角度	Operating Temperature 工作溫度
	(V)	(W)	(mm)	(Hrs)	(K)	(Lm/W)	(CRI)	(°)	(°C)
WL-A40-H108S	100~277	40	278*172*132	50000	3000/4000/6500	100	>80	120	-20~+45

- Light efficiency (lm/W),Power (W)Can be customized according to customer needs
- This type of certification is issued by a government-approved laboratory for Safety certification, Fire testing, Restriction of Hazardous Substances(RoHS), Photobiological safety of lamps and lamp systems.(an Exemption Group) and other test certifications to ensure product quality

- 光效(lm/W)、功率(W)可根據客戶需求定制
- 此型號認證由可實驗室發出之安全認證消防測試, 環保物料 (RoHS), 光生物安全為Exemption Group及其它測試, 保證客戶使用更安心滿意

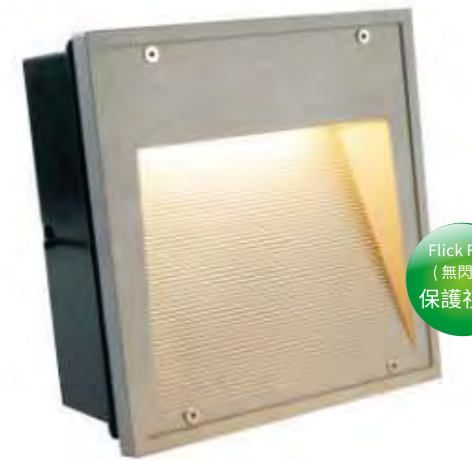
Wall Pack Light

Series Type: WL-A10

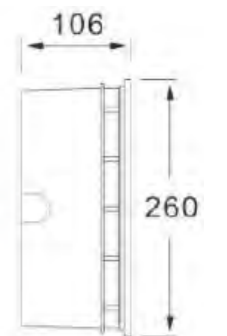
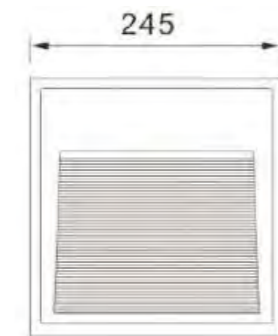
Features 產品特點 >>

- High light efficiency: 120 lm/W
- Well sealed enclosure, IP65 waterproof
- Long life spans High quality driver
- Easy and firm installation
- Apply to garden park villa and other places ,etc

- 高光效:120 lm / W
- 外殼密封性好, 防水等級IP65
- 使用壽命長, 驅動器高品質
- 安裝輕鬆且牢固
- 適用於花園公園別墅等場所



Flick Free
(無閃頻)
保護視力



Unit : mm

Specification 產品規格 >>

Model 型號	Voltage 電壓	Wattage 功率	Size 尺寸	Lamp Life 光度壽命	Colour Temp 色溫	Lumen Output 輸出流明	Color Rendering 顯色度	Beam Angle 光速角度	Operating Temperature 工作溫度
	(V)	(W)	(mm)	(Hrs)	(K)	(Lm/W)	(CRI)	(°)	(°C)
WL-10-H128W	100~277	10	260*245*106	50000	3000/4000/6500	120	>80	60	-20~+40

- Light efficiency (lm/W),Power (W)Can be customized according to customer needs
- This type of certification is issued by a government-approved laboratory for Safety certification, Fire testing, Restriction of Hazardous Substances(RoHS), Photobiological safety of lamps and lamp systems.(an Exemption Group) and other test certifications to ensure product quality

- 光效(lm/W)、功率(W)可根據客戶需求定制
- 此型號認證由可實驗室發出之安全認證消防測試, 環保物料 (RoHS), 光生物安全為Exemption Group及其它測試, 保證客戶使用更安心滿意