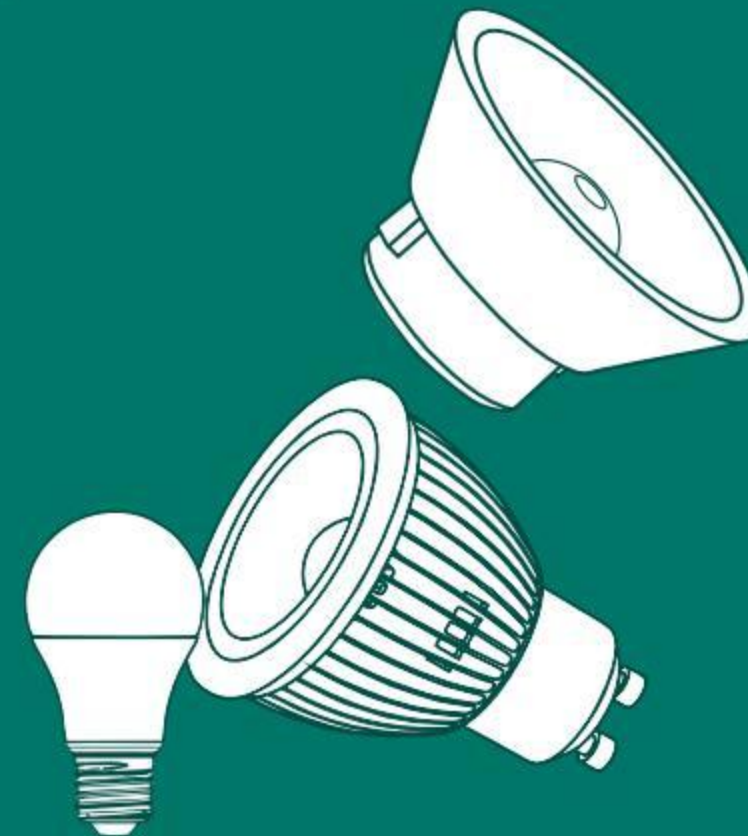




LED LIGHTING SERIES CATALOG

Integrated Application



iLighting Global Enterprise Co., Ltd.
www.ilighting.com.hk

iLighting Global Enterprise Co., Ltd.

Office Address: Room B3, 18/F Bonsun Industrial Building,
364-366 Sha Tsui Road, Tsuen Wan, HongKong

Phone: 852-3107 7500

Fax: 852-3544 0462

Email: info@ilighting.com.hk

Website: www.ilighting.com.hk



Catalog Series: 7G

Integrated Application

LED Lighting Series



*i*LIGHTING[®]
Green • Professional

Integrated
Application

CONTENTS

CONTENTS

Company Profile 公司簡介	1-2
Lighting Basic Concept 照明基本概念	3-6
LED Bulb LED球泡燈	7-16
Led Shoot The Light LED射燈	17-22
PAR Lamp PAR燈	23-28
Ground Light 地燈	29-32
Under Water Light 水底燈	33-36
Wall Pack Light 壁燈	37-42

A LED Bulb LED球泡燈



B LED Spotlight LED射燈



C PAR Lamp PAR燈



D Ground Light 地燈



E Under Water Light 水底燈



F Wall Pack Light 壁燈



Company Profile

公司簡介

ABOUT US 關於我們

iLIGHTING Global Enterprise Co. Ltd. emerges as a professional and high-end lighting designer, manufacturer and supplier established in Hong Kong and Mainland China under the Brand name 'iLighting' since 2007. The company is also a strategic OEM/ODM partner of many organization-wide lighting brands. The company devotes herself in the development, manufacturing and marketing of green, low-carbon and energy-saving lighting products. With continuous investment on R&D, we are proud to provide a wide range of LED products and work with worldwide partners in developing and managing Energy Management System (EMS) through the application of 5G and WiFi technology.

iLIGHTING智能全球企業有限公司自2007年起成為一家專業的高端照明設計師、製造商和供應商。自在香港和中國大陸以“iLighting”的名字成立以來，公司也成為了許多照明品牌的戰略性OEM/ODM合作夥伴。公司致力於綠色、低碳、節能照明產品的開發、製造和銷售，憑藉對研發的持續投資，我們自豪地提供範圍廣泛的LED產品，並通過應用5G和WiFi科技與全球合作夥伴合作開發和管理能源管理系統(EMS)。

Product Capacity 生產能力

- LED lighting with integrated design and built-in advanced electronic driver for building lighting retrofit.
- LED indoor and outdoor lighting with internal and external drivers.
- LED lighting emergency fitting and charging packs.
- Extra long life LED lamps for high power high bay and flood lights.
- Total system solution for dimming lighting control deploying WiFi, DALI, Lonwork, Bluetooth 4.0, Zigbee technologies.
- OEM / ODM energy saving lighting as required by clients for new and retrofit installation.
- Total Energy Management Solution for Intelligent Building Management.
- LED照明與集成設計和內置先進的電子驅動器，用於建築照明改造。
- 室內和室外LED照明，有內部和外部驅動器。
- LED照明應急配件和充電器。
- 超長壽命LED燈，適用於大功率高位燈和泛光燈。
- 全系統調光照明控制解決方案，採用WiFi、DALI、Lonwork、Bluetooth 4.0、Zigbee 通訊技術。
- OEM/ODM節能照明，可根據客戶的要求進行更新改造。
- 智能建築管理總能源管理解決方案。

Our Mission 我們的使命

We look to serve our client with the best quality of products and viable solutions of energy management system through intelligent system integration. Product adaptability is our strength; continuous improvement is our norm of work and meeting customer satisfaction is our goal.

我們希望通過智能系統集成，為客戶提供最優質的產品和可行的能源管理系統解決方案。產品適應性是我們的優勢，持續改進是我們的工作準則，滿足客戶滿意是我們的目標。

Our Advantages 我們的優勢

- Excellent after-sale services.
- OEM and ODM for global lighting companies.
- Flexible design and tailor-made products to suit retrofit projects.
- 優良的售後服務。
- 為全球照明公司提供OEM和ODM。
- 靈活的設計和訂制的產品，以適應更新改造項目。



Office Address:

Room B3, 18/F Bonsun Industrial Building, 364-366 Sha Tsui Road, Tsuen Wan, HongKong

Phone: 852-3107 7500

Fax: 852-3544 0462

E-mail: info@ilighting.com.hk

Website: www.ilighting.com.hk

Lighting Basic Concept

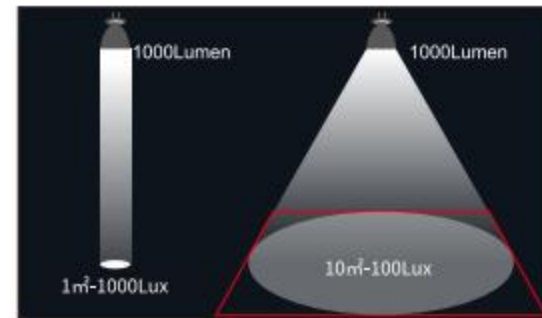
照明基本概念



Lumen 流明

Lumen 實際上是代表著光的強度，也就是光通量 (Luminous flux) 即指光源在某單位時間內所發出之光線總數量。一般稱作光束)的單位，簡而言之，流明就是光束照在物體表面的量。

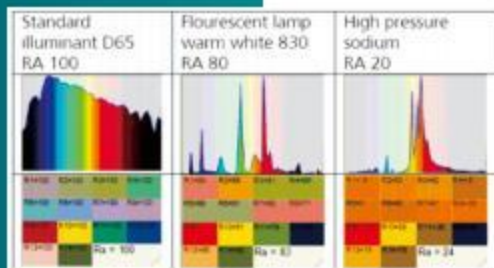
Lumen actually represents the intensity of lights, that is, the luminous flux (Luminous Flux) refers to the unit of the total amount of light emitted by light source in a unit time, generally referred to as the light beam. In short, lumens is the light beam Amount on the surface of the object.



Color Rendering Index 顯色性指數

顯色度以Ra來表示，天然光的顯色度為100Ra，顯色度越接近100Ra，我們看到的顏色就越接近物體的自然原色。也就是顏色逼真的程度，顯色度高 我們所看到的顏色也就是較接近自然原色，顯色度低對於顏色的表現較差，所看到的顏色偏差也延遲。

Color rendering is represented by Ra, the color rendering of natural light is 100 Ra, the closer the color rendering is to 100 Ra, the color we see The closer the color is to the natural primary color of the object. Color is realistic The degree of color rendering is high. The color we see is close to natural primary color, low color rendering, poor performance for color, The color deviation seen is also delayed.



Color Temperature 色溫

色溫及不同色溫應用什麼環境——以絕對溫度 K (kelvin) 來表示，色溫度 3000k 以下時，光色有偏紅的現象 (黃光)，給予一種溫暖、親切、舒適的感覺；色溫度超過 5000k 時，顏色則偏向藍光 (白光)，給人一種清冷的感覺，令環境變得清冷和寧靜。

通常亞熱帶人較喜歡清冷 4000k 以上，而寒帶的人較喜歡 4000k 以下的色溫度。

Color temperature and what environment is used for different color temperatures-expressed in absolute temperature K (kelvin), when the color temperature is below 3000k, the light color has a reddish phenomenon (yellow light), giving a warm, friendly, comfortable feeling; color temperature exceeds 5000k At this time, the color is biased towards blue light (white light), giving a cool feeling. Make the environment clear and peaceful.

Generally, people in the subtropics prefer cold temperatures above 4000k, while those in the cold regions prefer colors below 4000k.

WB SETTINGS	COLOR TEMPERATURE	LIGHT SOURCES
	10000-15000K	Clear Blue Sky
	6500-8000K	Cloudy Sky / Shade
	6000-7000K	Noon Sunlight
	5500-6500K	Average Daylight
	5000-5500K	Electronic Flash
	4000-5000K	Fluorescent Light
	3000-4000K	Early AM/ Late PM
	2500-3000K	Domestic Lightning
	1000-2000K	Candle Flame



Life 壽命

分為平均壽命和經濟壽命兩種，以小時為單位。

平均壽命 (rate average life)

例如，每個100個燈泡同時亮著，若6000小時後，第50個燈泡壞掉熄滅，此燈泡的平均壽命則為6000小時。

經濟壽命 (economic life)

指流明輸出的總時數

以上，燈的光通維持率達到標準規定的要求並能繼續燃點至50%的燈 (即50%的燈失效時的壽命)，同時考慮損壞以及光束輸出衰減的狀況下能維持光源為70%以上。

Divided into two types of average life and economic life, in hours.

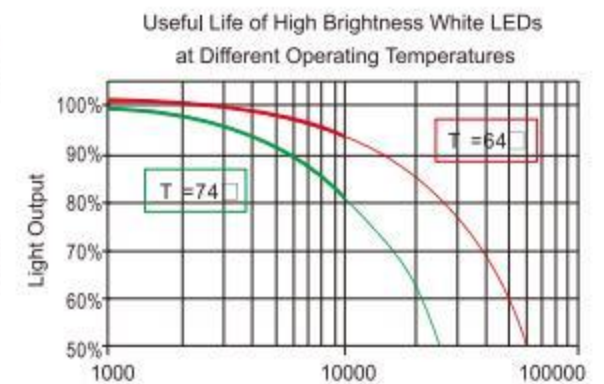
Life expectancy (rate average life)

For example, each of the 100 light bulbs is on at the same time. If after 60,000 hours, The 50th lamp is broken and extinguished, and the average life of the lamp is 60000 hours.

Economic life

Economic life refers to lumen output.

The above, The lumen maintenance rate of the indicator lamp meets the requirements of the standard that can continue burning point to 50% of lamps (ie, that point at 50% of lamp fails). Taking into account for the damage, lumen output decay, it can maintain light source at 70% healthy condition.



Fire Proof Material 物料防火等級

塑料阻燃等級由 HB, V-2, V-1 向 V-0 逐級遞增。

HB: UL94標準中最低的阻燃等級，要求對於3到13毫米厚的樣品，燃燒速度小於 40毫米每分鐘；小於 3毫米厚的樣品，燃燒速度小於 70毫米每分鐘；或者在 100毫米的標誌前熄滅。

- V-2: 對樣品進行兩次 10秒的燃燒測試後,火焰在 30秒內熄滅,可以引燃 30cm下方的藥棉。
- V-1: 對樣品進行兩次 10秒的燃燒測試後,火焰在 30秒內熄滅,不能引燃 30cm下方的藥棉。
- V-0: 對樣品進行兩次 10秒的燃燒測試後,火焰在 10秒內熄滅,不能有燃燒物掉下。



Plastic flame retardant grades are gradually increased from HB, V-2, V-1 to V-0.

HB: The lowest flame retardant grade in the UL94 standard, Require for 3 to 13mm thick samples with a burning rate of less than 40 mm per minute; less than 3 mm thick samples with a burning rate of less than 70 mm per minute; or stop at 100 mm sign.

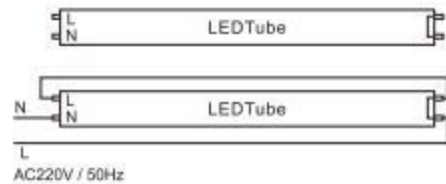
V-2: After two 10-second burn tests on the sample, the

flame stops at 30 seconds, would ignite cotton wool below 30cm.

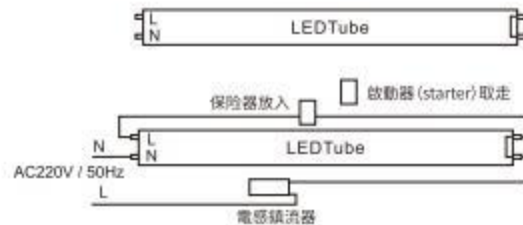
V-1: After two 10-second fire tests on the sample, the flame was at 30 seconds Inside goes out, Would not ignite cotton wool below 30cm.

V-0: After two 10-second burn tests on the sample, the flame stops at 10 seconds, No burning substances should fall off.

Wiring Diagram 接線方案



• 新支架內之接線圖



• 舊支架內之接線圖
• 把T8螢光直管及啟動器 (starter) 取走,更換單獨端 T8LED直管電感鎮流器,之後放入保險器,不需要任何線路上改動。

Stroboscopic Suppression 頻閃抑制

理想的光源亮度是鎮流後之直流電壓恆定不變的,這就是理論上的絕對無頻閃。實際上我們平常使用的燈具直流電壓都不會真正的恆定不變,週期的亮度高低變化程度就是頻率。

市面常見LED驅動電路,頻閃深度最大的頻率一般都是 100HZ左右。因為PWM高頻是調製在50HZ整流後的電壓

上。實際燈具中,任何的頻率上都有一定的頻閃深度(最高的亮度和最暗的亮度之差)。那麼,這裡就存在一個頻閃深度最大的時候所對應的頻閃頻率。還有就是最大的頻閃深度值。頻閃頻率越高對人的影響越小,頻閃深度越小對人的影響越小,總體來說頻閃深度越小對人降低或消除導致視力疲勞的低頻率光,減輕眼睛負擔,關愛眼睛。

Ideal light source brightness is constant, which is absolute no stroboscopic depth. In fact, the brightness of the lamps we usually install will not be truly stable. The degree of change in the brightness within the period is the frequency.

The common LED drive circuit in the market has the stroboscopic depth at frequency 100 HZ or so. This is because PWM high frequency is modulated on the voltage after 50 HZ rectification. In actual lamps, there will be a certain stroboscopic depth at any frequency. (The difference between the greatest brightest and smallest brightness). Well, there would be the stroboscopic frequency corresponding to the maximum stroboscopic depth, that has the biggest stroboscopic depth value.

The higher the stroboscopic frequency, the smaller the impact is on peoples. As a consulsion, the lower the stroboscopic depth can reduce or eliminate low-frequency light vision fatigue that reduces the burden on the eyes and cares about eye health.



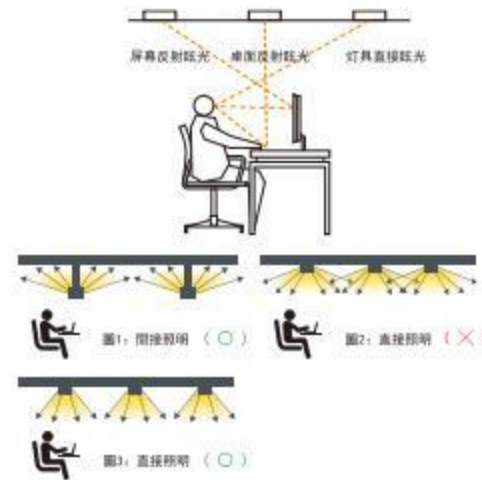
Glare 眩光

是指視野中由於不適宜亮度分佈,是因視野內的亮度大幅超過眼睛所適應,以致引起視覺不舒適和降低物體可見度的視覺條件。視野內產生人眼無法適應之光亮感覺,可能引起厭惡、煩擾、不舒服或視力受損不舒服、甚或喪失明視度。在視野中某一局部地方出現過高的亮度或前後發生過大的亮度變化。

眩光是引起視覺疲勞的重要原因之一。

Refers to the unsuitable brightness distribution in the visual field, resulting in visual discomfort and reduced object visibility Visual conditions. There is a discomfort feeling in the eye vision that a person cannot withstand that would cause disgust, discomfort or even loss of vision. Excessive brightness in a special location of vision, or excessive brightness changes.

Glare is one of the important causes of visual fatigue.



Power Factor 功率因數

功率因數(簡稱PF),是一負載所消耗的有功功率與其視在功率的比值,純電阻負載的視在功率等於有功功率,其功率因數為1。若是由電感、電容及電阻組成的負載,功率因數會小於1。

功率因數在一定程度上反映了發電機容量得以利用的比例,是合理用電的重要指標。功率因數的高低,對於電氣設備的利用率和分析、研究電能消耗等問題都有十分重要的意義。電力公司為了反映較大容量設備及浪費能量的成本,一般會對功率因數較低的工商業用戶以較高的電費費率來計算電費。

Power factor (referred to as PF), is a load consumed by the active power and its apparent power ratio, pure resistance load apparent power is equal to the active power, its power factor is 1. If the load is composed of inductance, capacitance and resistance, the power factor will be less than 1.

Power factor to a certain extent reflects the proportion of generator capacity to be utilized, is an important indicator of rational use of electricity. The level of power factor, for the utilization of electrical

Minimum Allowable Power Factor For LED Lamp With Integrated Driver

Rated Lamp Wattage(LW)	minimum allowable power factor
LW ≤ 5W	0.5
5W < LW ≤ 25W	0.7
LW > 25W	0.9

Information refer to Hong Kong Voluntary Energy Efficiency Labeling for LED Lamp January 2017 EMSD (Electrical and Mechanical Services Department)

equipment and analysis, research and power consumption and other issues are of great significance. In order to reflect the cost of larger capacity equipment and wasted energy, the power company will generally lower power factor of industrial and commercial users to higher rates to calculate the electricity bill, Translated with DeepL.com (free version)

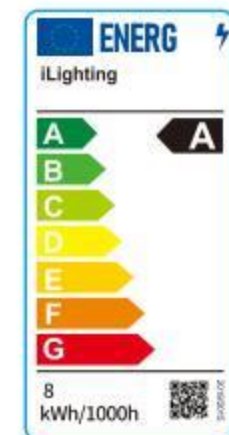
Light source efficiency lm/w (lumen efficiency) 光源效率 lm/w (流明效率)

光源的效率取決於其所發出的光的流明除以起耗電量所得值LED光亮度,並非似功耗(W)度量,而是以流明輸出(lm)來決定。

iLighting LED 流明效益高,更有歐洲A級能源標籤,保證節電環保。

The efficiency of a light source depends on the lumen of the light it emits divided by the power consumption LED brightness is not similar to wattage (W) measurement, but measured in lumens output (lm) Decide.

iLighting LED Lumen has high lumen efficiency, and it also has obtained European A energy label to ensure power saving and environmental protection.



LED Bulb

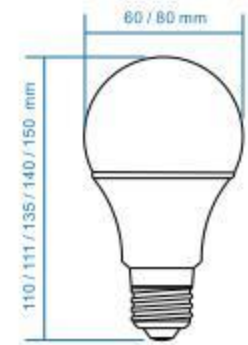
Series Type: BL-A-H

Features 產品特點 >>

- A++ energy certification, environmental protection and energy saving
- E27 screw head lamp foot
- Even light emission, no video flicker, no ultraviolet and infrared.
- High luminous output and low power consumption
- Does not contain mercury or other harmful substances
- SPM design-power circuit protection function can cut off a single LED in the event of a fault



- A++能源認證, 環保省電
- E27螺頭燈腳
- 發光均勻, 無可視頻閃, 無紫外線和紅外線。
- 高發光輸出和低功耗
- 不含汞或其他有害物質
- SPM設計-電源電路保護功能可在故障時切斷單個LED



Unit : mm

Specification 產品規格 >>

Model 型號	Voltage 電壓	Wattage 功率	Size 尺寸	Lamp Life 光度壽命	Colour Temp 色溫	Lumen Output 輸出流明	Color Rendering 顯色度	Beam Angle 光束角度	Operating Temperature 工作溫度
	(V)	(W)	(mm)	(Hrs)	(K)	(Lm/W)	(CRI)	(°)	(°C)
BL-A06-H158A	85~265	6	Ø60*111	50000	3000/4000/6500	150	>80	180	-20~+45
BL-A08-H108A	85~265	8	Ø80*135	50000	3000/4000/6500	150	>80	180	-20~+45

- Light efficiency (lm/W), Power (W) Can be customized according to customer needs
- This type of certification is issued by a government-approved laboratory for Safety certification, Fire testing, Restriction of Hazardous Substances (RoHS), Photobiological safety of lamps and lamp systems. (an Exemption Group) and other test certifications to ensure product quality

- 光效 (lm/W)、功率 (W) 可根據客戶需求定制
- 此型號認證由可實驗室發出之安全認證消防測試, 環保物料 (RoHS), 光生物安全為 Exemption Group 及其它測試, 保證客戶使用更安心滿意

LED Bulb

LED球泡燈

Hing Power LED Bulb

Series Type: BL-A-E27

Features 產品特點 >>

- E27 screw head lamp foot
- Even light emission, no video flicker, no ultraviolet and infrared
- High luminous output and low power consumption
- Does not contain mercury or other harmful substances
- SPM design-power circuit protection function can cut off a single LED in the event of a fault

- E27螺頭燈腳
- 發光均勻,無可視頻閃,無紫外線和紅外線
- 高發光輸出和低功耗
- 不含汞或其他有害物質
- SPM設計-電源電路保護功能可在故障時切斷單個LED



Unit : mm

Specification 產品規格 >>

Model 型號	Voltage 電壓	Wattage 功率	Size 尺寸	Lamp Life 光度壽命	Colour Temp 色溫	Lumen Output 輸出流明	Color Rendering 顯色度	Beam Angle 光束角度	Operating Temperature 工作溫度
	(V)	(W)	(mm)	(Hrs)	(K)	(Lm/W)	(CRI)	(°)	(°C)
BL-A30-H108-E27	85~265	30	Ø120*220	50000	3000/4000/6500	100	>80	180	-20~+45
BL-A50-H108-E27	85~265	50	Ø120*280	50000	3000/4000/6500	100	>80	180	-20~+45

- Light efficiency (lm/W), Power (W) can be customized according to customer needs
- This type of certification is issued by a government-approved laboratory for Safety certification, Fire testing, Restriction of Hazardous Substances (RoHS), Photobiological safety of lamps and lamp systems, (an Exemption Group) and other test certifications to ensure product quality

- 光效 (lm/W)、功率 (W) 可根據客戶需求定制
- 此型號認證由可實驗室發出之安全認證消防測試, 環保物料 (RoHS), 光生物安全為Exemption Group及其它測試, 保證客戶使用更安心滿意

Hing Power LED Bulb

Series Type: BL-A-E40

Features 產品特點 >>

- E40 screw head lamp foot
- Even light emission, no video flicker, no ultraviolet and infrared
- High luminous output and low power consumption
- Does not contain mercury or other harmful substances
- SPM design-power circuit protection function can cut off a single LED in the event of a fault

- E40螺頭燈腳
- 發光均勻,無可視頻閃,無紫外線和紅外線
- 高發光輸出和低功耗
- 不含汞或其他有害物質
- SPM設計-電源電路保護功能可在故障時切斷單個LED



Unit : mm

Specification 產品規格 >>

Model 型號	Voltage 電壓	Wattage 功率	Size 尺寸	Lamp Life 光度壽命	Colour Temp 色溫	Lumen Output 輸出流明	Color Rendering 顯色度	Beam Angle 光束角度	Operating Temperature 工作溫度
	(V)	(W)	(mm)	(Hrs)	(K)	(Lm/W)	(CRI)	(°)	(°C)
BL-A50-H108-E40	85~265	50	Ø120*280	50000	3000/4000/6500	100	>80	180	-20~+45
BL-A70-H108-E40	85~265	70	Ø150*345	50000	3000/4000/6500	100	>80	180	-20~+45
BL-A100-H108-E40	85~265	100	Ø150*345	50000	3000/4000/6500	100	>80	180	-20~+45

- Light efficiency (lm/W), Power (W) can be customized according to customer needs
- This type of certification is issued by a government-approved laboratory for Safety certification, Fire testing, Restriction of Hazardous Substances (RoHS), Photobiological safety of lamps and lamp systems, (an Exemption Group) and other test certifications to ensure product quality

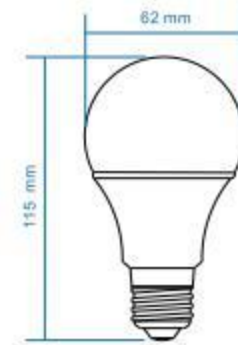
- 光效 (lm/W)、功率 (W) 可根據客戶需求定制
- 此型號認證由可實驗室發出之安全認證消防測試, 環保物料 (RoHS), 光生物安全為Exemption Group及其它測試, 保證客戶使用更安心滿意

Mosquito Repellent LED Bulb-Ultra Sonic

Series Type: BL-A-MR

Features 產品特點 >>

- LED bulb with ultrasonic mosquito repellent
- No sound, no chemicals, no smell, no spray, no smoke
- Effective mosquito repellent area reaches 20 square meters
- Energy saving, 6W can replace 45W traditional bulbs.
- 帶超聲波驅蚊器的LED燈泡
- 無聲、無化學物質、無氣味、無噴霧劑、無煙霧
- 有效驅蚊面積達20平方米
- 節能, 6W能替代45W傳統燈泡



Unit : mm

Specification 產品規格 >>

Model 型號	Voltage 電壓	Wattage 功率	Size 尺寸	Lamp Life 光度壽命	Colour Temp 色溫	Lumen Output 輸出流明	Color Rendering 顯色度	Beam Angle 光速角度	Operating Temperature 工作溫度
	(V)	(W)	(mm)	(Hrs)	(K)	(Lm/W)	(CRI)	(°)	(°C)
BL-A6006-MR	220	6	Ø62*115	50000	2700-6500	100	>80	180	-20~+45

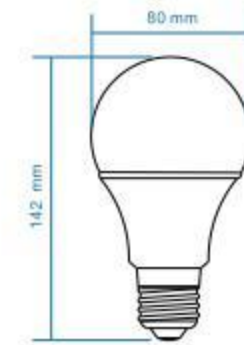
- Light efficiency (lm/W), Power (W) can be customized according to customer needs
- This type of certification is issued by a government-approved laboratory for Safety certification, Fire testing, Restriction of Hazardous Substances (RoHS), Photobiological safety of lamps and lamp systems. (an Exemption Group) and other test certifications to ensure product quality
- 光效 (lm/W)、功率 (W) 可根據客戶需求定制
- 此型號認證由可實驗室發出之安全認證消防測試, 環保物料 (RoHS), 光生物安全為Exemption Group及其它測試, 保證客戶使用更安心滿意

Negative Ion LED Bulb

Series Type: BL-A-NI

Features 產品特點 >>

- LED bulb with negative ions
- No sound, no chemicals, no smell, no spray, no smoke
- Effective area up to 10 square meters
- Energy saving, 7W can replace 60W traditional bulbs
- In addition to formaldehyde, smoke and dust, sterilization and disinfection
- 帶負離子的LED燈泡
- 無聲、無化學物質、無氣味、無噴霧劑、無煙霧
- 有效面積達10平方米
- 節能, 7W能替代60W傳統燈泡
- 除甲醛、除煙塵、殺菌消毒



Unit : mm

Specification 產品規格 >>

Model 型號	Voltage 電壓	Wattage 功率	Size 尺寸	Lamp Life 光度壽命	Colour Temp 色溫	Lumen Output 輸出流明	Color Rendering 顯色度	Beam Angle 光速角度	Operating Temperature 工作溫度
	(V)	(W)	(mm)	(Hrs)	(K)	(Lm/W)	(CRI)	(°)	(°C)
BL-A6007-NI	220	7	Ø80*142	50000	3000/4000/6500	100	>80	180	-20~+45

- Light efficiency (lm/W), Power (W) can be customized according to customer needs
- This type of certification is issued by a government-approved laboratory for Safety certification, Fire testing, Restriction of Hazardous Substances (RoHS), Photobiological safety of lamps and lamp systems. (an Exemption Group) and other test certifications to ensure product quality
- 光效 (lm/W)、功率 (W) 可根據客戶需求定制
- 此型號認證由可實驗室發出之安全認證消防測試, 環保物料 (RoHS), 光生物安全為Exemption Group及其它測試, 保證客戶使用更安心滿意

Spiral Corn Bulb Lamp

Series Type: IBL-G30

Features 產品特點 >>

- Uniform light emission
- High luminous output 90 lm / W & low power consumption
- No ultraviolet and infrared
- Standard E27 lamp caps
- No mercury or other harmful substances

- 均勻發光
- 高亮度輸出90lm/W, 低功耗
- 沒有紫外線和紅外線
- 標準E27燈頭
- 不含汞或其他有害物質



Specification 產品規格 >>

Model 型號	Voltage 電壓	Wattage 功率	Size 尺寸	Lamp Life 光度壽命	Colour Temp 色溫	Lumen Output 輸出流明	Color Rendering 顯色度	Beam Angle 光速角度	Operating Temperature 工作溫度
	(V)	(W)	(mm)	(Hrs)	(K)	(lm/W)	(CRI)	(°)	(°C)
IBL-G30-E27	220~240	30	Ø80*1200	30000	6000	90	>80	360	-20~+45

- Light efficiency (lm/W), Power (W) Can be customized according to customer needs
- This type of certification is issued by a government-approved laboratory for Safety certification, Fire testing, Restriction of Hazardous Substances (RoHS), Photobiological safety of lamps and lamp systems. (an Exemption Group) and other test certifications to ensure product quality

- 光效 (lm/W)、功率 (W) 可根據客戶需求定制
- 此型號認證由可實驗室發出之安全認證消防測試, 環保物料 (RoHS), 光生物安全為Exemption Group及其它測試, 保證客戶使用更安心滿意

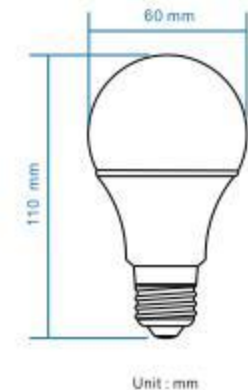
Triac Dimmable LED Bulb

Series Type: BL-A-LE

Features 產品特點 >>

- LED Phase Control Dimming Driver
- Dimming interface : Traic / ELV, Push Dim
- Apply to leading edge TRAIC dimmers
- PWM digital dimming, no alter LED color rendering index
- High frequency PWM dimming
- Dimming range from 25% / 50% / 75%
- Efficiency > 85%
- Short Circuit / Over-temperature / Over Load / Over Voltage Protection
- Suitable for indoor environments

- LED相位控制調光驅動器
- 調光介面: Traic/ELV、Push Dir
- 適用於前沿TRAIC調光器
- PWM數位調光, 不改變LED顯色指數
- 高頻PWM調光
- 調光範圍為25%、50%、75%
- 效率>85%
- 短路/過熱/超載/過電壓保護
- 適合室內環境



Specification 產品規格 >>

Model 型號	Voltage 電壓	Wattage 功率	Size 尺寸	Lamp Life 光度壽命	Colour Temp 色溫	Lumen Output 輸出流明	Color Rendering 顯色度	Beam Angle 光速角度	Operating Temperature 工作溫度
	(V)	(W)	(mm)	(Hrs)	(K)	(lm/W)	(CRI)	(°)	(°C)
BL-A05-LE	220-240	5-8	Ø60*110	30000	2700	100	>80	180	-20~+45

- Light efficiency (lm/W), Power (W) Can be customized according to customer needs
- This type of certification is issued by a government-approved laboratory for Safety certification, Fire testing, Restriction of Hazardous Substances (RoHS), Photobiological safety of lamps and lamp systems. (an Exemption Group) and other test certifications to ensure product quality

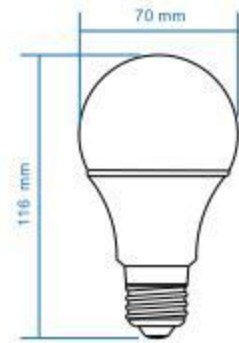
- 光效 (lm/W)、功率 (W) 可根據客戶需求定制
- 此型號認證由可實驗室發出之安全認證消防測試, 環保物料 (RoHS), 光生物安全為Exemption Group及其它測試, 保證客戶使用更安心滿意

Wireless Control Tunable Light Bulb

Series Type: BL-B05

Features 產品特點 >>

- Wireless remote control tunable light bulb
- Tunable(2700K-6500K)
- Dimmable lighting output & ON/OFF
- Standard E27 lamp caps
- No mercury or other harmful substances
- 無線遙控可調光
- 燈泡可調光 (2700K-6500K)
- 可調光照明輸出和開/關
- 標準E27燈頭
- 不含汞或其他有害物質



Unit : mm



Specification 產品規格 >>

Model 型號	Voltage 電壓	Wattage 功率	Size 尺寸	Lamp Life 光度壽命	Colour Temp 色溫	Lumen Output 輸出流明	Color Rendering 顯色度	Operating Frequency 工作頻率	Operating Temperature 工作溫度
	(V)	(W)	(mm)	(Hrs)	(K)	(Lm/W)	(CRI)		(°C)
BL-B05	220~240	5	Ø70*116	30000	2700~6500 tunable	100	>80	2.4G	-20~+45

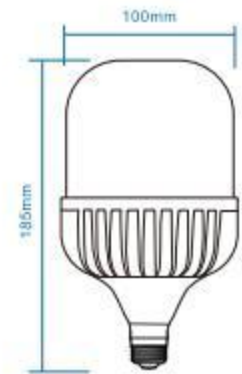
- Light efficiency (lm/W), Power (W) Can be customized according to customer needs
- This type of certification is issued by a government-approved laboratory for Safety certification, Fire testing, Restriction of Hazardous Substances(RoHS), Photobiological safety of lamps and lamp systems.(an Exemption Group) and other test certifications to ensure product quality
- 光效 (lm/W)、功率 (W) 可根據客戶需求定制
- 此型號認證由可實驗室發出之安全認證消防測試, 環保物料 (RoHS), 光生物安全為Exemption Group及其它測試, 保證客戶使用更安心滿意

Triac Dimmable LED Bulb

Series Type: BL-A-LE

Features 產品特點 >>

- Uniform light emission
- High luminous output 1350 lm/W & low power consumption
- No Flicker, no eye, no ultraviolet and infrared
- No mercury and other harmful substances
- CRI>80
- Dimming range from 30-100%
- 均勻發光
- 高發光輸出1350 lm/W, 低功耗
- 沒有閃爍, 沒有眼睛, 沒有紫外線和紅外線
- 不含汞和其他有害物質
- CRI>80
- 調光範圍30-100%



Unit : mm

Specification 產品規格 >>

Model 型號	Voltage 電壓	Wattage 功率	Size 尺寸	Lamp Life 光度壽命	Colour Temp 色溫	Lumen Output 輸出流明	Color Rendering 顯色度	Beam Angle 光束角度	Operating Temperature 工作溫度
	(V)	(W)	(mm)	(Hrs)	(K)	(Lm/W)	(CRI)	(°)	(°C)
BL-A100-LE	220-240	13	Ø100*185	30000	2700	100	>80	270	-20~+45

- Light efficiency (lm/W), Power (W) Can be customized according to customer needs
- This type of certification is issued by a government-approved laboratory for Safety certification, Fire testing, Restriction of Hazardous Substances(RoHS), Photobiological safety of lamps and lamp systems.(an Exemption Group) and other test certifications to ensure product quality
- 光效 (lm/W)、功率 (W) 可根據客戶需求定制
- 此型號認證由可實驗室發出之安全認證消防測試, 環保物料 (RoHS), 光生物安全為Exemption Group及其它測試, 保證客戶使用更安心滿意

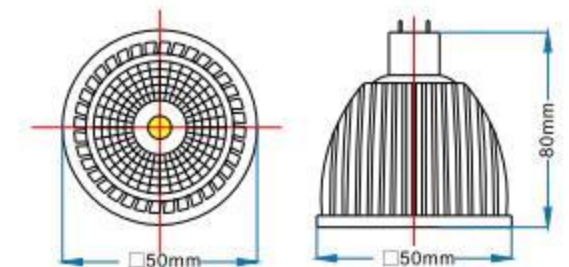
LED Spotlight

Series Type: IMR-A-N

Features 產品特點 >>

- Using high-quality LED chips, low heat generation, stable performance, safe eye protection
- Glass mask, strong light transmission, uniform light, strong refraction, large heat dissipation area
- Three-dimensional cylindrical design, beautiful and unique appearance, long life
- Suitable for hotels, shopping malls, offices, aisles, etc

- 採用優質LED, 發熱量低, 性能穩定, 安全護眼
- 玻璃面罩, 透光性強, 光線均勻, 折射性強, 散熱
- 面積大立體圓柱設計, 外觀精美別致, 壽命長
- 適用於飯店、商場、辦公室、過道等



Unit : mm

Specification 產品規格 >>

Model 型號	DC Voltage 電壓	Wattage 功率	Size 尺寸	Lamp Life 光度壽命	Colour Temp 色溫	Lumen Output 輸出流明	Color Rendering 顯色度	Beam Angle 光束角度	Operating Temperature 工作溫度
	(V)	(W)	(mm)	(Hrs)	(K)	(Lm/W)	(CRI)	(°)	(°C)
IMR16-A07-N108E	12	7	Ø50*80	50000	3000/4000/6500	100	>80	60	-20~+45

- Light efficiency (lm/W), Power (W) can be customized according to customer needs
- This type of certification is issued by a government-approved laboratory for Safety certification, Fire testing, Restriction of Hazardous Substances (RoHS), Photobiological safety of lamps and lamp systems, (an Exemption Group) and other test certifications to ensure product quality

- 光效 (lm/W)、功率 (W) 可根據客戶需求定制
- 此型號認證由可實驗室發出之安全認證消防測試, 環保物料 (RoHS), 光生物安全為 Exemption Group 及其它測試, 保證客戶使用更安心滿意

LED Spotlight

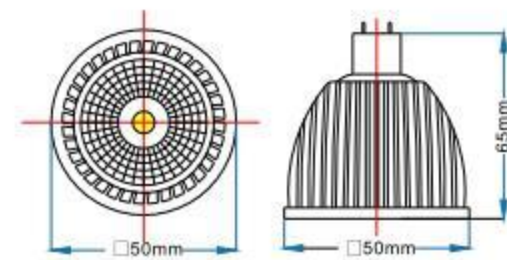
LED射燈

LED Spotlight

Series Type: IMR-B-H

Features 產品特點 >>

- Using high-quality LED chips, low heat generation, stable performance, safe eye protection
 - Glass mask, strong light transmission, uniform light, strong refraction, large heat dissipation area
 - Three-dimensional cylindrical design, beautiful and unique appearance, long life
 - Suitable for hotels, shopping malls, offices, aisles, etc
- 採用優質LED,發熱量低,性能穩定,安全護眼
 - 玻璃面罩,透光性強,光線均勻,折射性強,散熱面積大
 - 立體圓柱設計,外觀精美別致,壽命長
 - 適用於飯店、商場、辦公室、過道等



Unit : mm

Specification 產品規格 >>

Model 型號	DC Voltage 電壓	Wattage 功率	Size 尺寸	Lamp Life 光度壽命	Colour Temp 色溫	Lumen Output 輸出流明	Color Rendering 顯色度	Beam Angle 光線角度	Operating Temperature 工作溫度
	(V)	(W)	(mm)	(Hrs)	(K)	(Lm/W)	(CRI)	(°)	(°C)
IMR16-B05-H108E	12	5	Ø50*65	50000	3000/4000/6500	100	>80	60	-20~+45

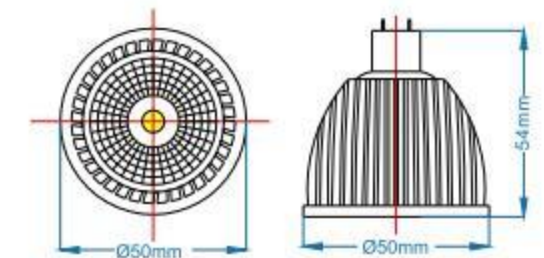
- Light efficiency (lm/W), Power (W) can be customized according to customer needs
 - This type of certification is issued by a government-approved laboratory for Safety certification, Fire testing, Restriction of Hazardous Substances (RoHS), Photobiological safety of lamps and lamp systems, (an Exemption Group) and other test certifications to ensure product quality
- 光效 (lm/W)、功率 (W) 可根據客戶需求定制
 - 此型號認證由可實驗室發出之安全認證消防測試, 環保物料 (RoHS), 光生物安全為 Exemption Group 及其它測試, 保證客戶使用更安心滿意

LED Spotlight

Series Type: MR16-03

Features 產品特點 >>

- Using high-quality LED chips, low heat generation, stable performance, safe eye protection
 - Compatible with electronic transformers to directly replace halogen lamps
 - COB plastic covered aluminum lamp cup, high brightness, low power consumption
 - Suitable for shopping malls, hotels, jewelry counters and other places
- 採用優質LED,發熱量低,性能穩定,安全護眼
 - 與電子變壓器相容,可直接替代鹵素燈
 - COB覆塑鋁燈杯,亮度高,功耗低
 - 適用於商場、飯店、珠寶櫃檯等場所



Unit : mm

Specification 產品規格 >>

Model 型號	DC Voltage 電壓	Wattage 功率	Size 尺寸	Lamp Life 光度壽命	Colour Temp 色溫	Lamp Base 燈座	Lumen Output 輸出流明	Color Rendering 顯色度	Beam Angle 光線角度	Operating Temperature 工作溫度
	(V)	(W)	(mm)	(Hrs)	(K)		(Lm/W)	(CRI)	(°)	(°C)
IMR16-03	12	3.5	Ø50*54	50000	3000	GU 5.3	80	>80	90	-20~+45

- Light efficiency (lm/W), Power (W) can be customized according to customer needs
 - This type of certification is issued by a government-approved laboratory for Safety certification, Fire testing, Restriction of Hazardous Substances (RoHS), Photobiological safety of lamps and lamp systems, (an Exemption Group) and other test certifications to ensure product quality
- 光效 (lm/W)、功率 (W) 可根據客戶需求定制
 - 此型號認證由可實驗室發出之安全認證消防測試, 環保物料 (RoHS), 光生物安全為 Exemption Group 及其它測試, 保證客戶使用更安心滿意

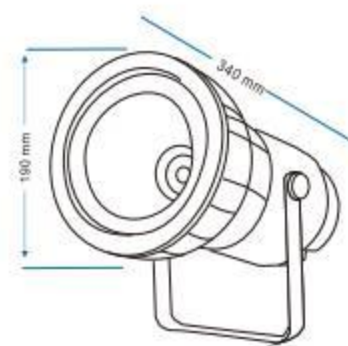
LED Searchlight

Series Type: ISL-A40

Features 產品特點 >>

- Adopts high heat-conducting aluminum for heat dissipation
- High-power high lumen efficiency LED as the light source
- Long range & clear vision
- IP65 Waterproof design, suitable for outdoor work

- 採用高導熱鋁散熱
- 大功率高流明效率LED作為光源
- 射程遠, 視野清晰
- IP65防水設計, 適合戶外工作



Unit : mm

Specification 產品規格 >>

Model 型號	DC Voltage 電壓	Wattage 功率	Size 尺寸	Lamp Life 光度壽命	Colour Temp 色溫	Lumen Output 輸出流明	Color Rendering 顯色度	Beam Angle 光束角度	Operating Temperature 工作溫度
	(V)	(W)	(mm)	(Hrs)	(K)	(Lm/W)	(CRI)	(°)	(°C)
ISL-A40-H108	100-240	40	Ø190*340	30000	6000	100	>80	15	-20~+45

- Light efficiency (lm/W), Power (W) Can be customized according to customer needs
- This type of certification is issued by a government-approved laboratory for Safety certification, Fire testing, Restriction of Hazardous Substances (RoHS), Photobiological safety of lamps and lamp systems, (an Exemption Group) and other test certifications to ensure product quality

- 光效 (lm/W)、功率 (W) 可根據客戶需求定制
- 此型號認證由可實驗室發出之安全認證消防測試, 環保物料 (RoHS), 光生物安全為Exemption Group及其它測試, 保證客戶使用更安心滿意

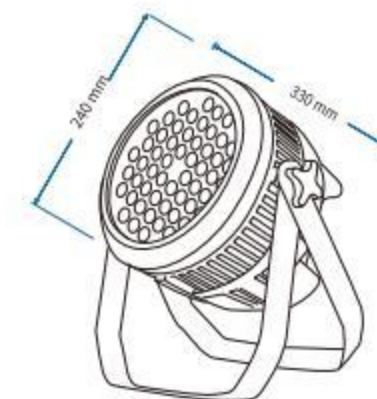
LED Searchlight

Series Type: ISL-A100

Features 產品特點 >>

- Adopts high heat-conducting aluminum for heat dissipation
- High-power high lumen efficiency LED as the light source
- Long range & clear vision
- IP65 waterproof design, suitable for outdoor work

- 採用高導熱鋁散熱
- 大功率高流明效率LED作為光源
- 射程遠, 視野清晰
- IP65防水設計, 適合戶外工作



Unit : mm

Specification 產品規格 >>

Model 型號	DC Voltage 電壓	Wattage 功率	Size 尺寸	Lamp Life 光度壽命	Colour Temp 色溫	Lumen Output 輸出流明	Color Rendering 顯色度	Beam Angle 光束角度	Operating Temperature 工作溫度
	(V)	(W)	(mm)	(Hrs)	(K)	(Lm/W)	(CRI)	(°)	(°C)
ISL-A100-H108	85-265	100	Ø240*330	30000	6000-6500	100	>80	15	-20~+45

- Light efficiency (lm/W), Power (W) Can be customized according to customer needs
- This type of certification is issued by a government-approved laboratory for Safety certification, Fire testing, Restriction of Hazardous Substances (RoHS), Photobiological safety of lamps and lamp systems, (an Exemption Group) and other test certifications to ensure product quality

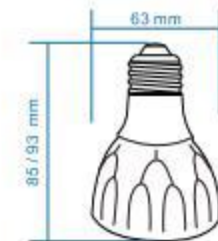
- 光效 (lm/W)、功率 (W) 可根據客戶需求定制
- 此型號認證由可實驗室發出之安全認證消防測試, 環保物料 (RoHS), 光生物安全為Exemption Group及其它測試, 保證客戶使用更安心滿意

PAR Lamp

Series Type: PAR20-B

Features 產品特點 >>

- Energy saving and environmental protection, low energy consumption, high light efficiency, high heat dissipation, no flicker
 - Long life, low light decay, oxidation resistance, no fading
 - High power lumens LED
 - Suitable for offices, large supermarkets, stores, gyms, factory workshops, exhibition halls, stadiums, etc.
-
- 節能環保、低耗能、高光效、高散熱、無頻閃
 - 超長壽命、低光衰、耐氧化、不褪色
 - 使用大功率高流明LED
 - 適用於辦公場所、大型超市、賣場、健身房、工廠車間、展廳、體育場等



Unit : mm

Specification 產品規格 >>

Model 型號	Voltage 電壓	Wattage 功率	Size 尺寸	Lamp Life 光度壽命	Colour Temp 色溫	Lumen Output 輸出流明	Color Rendering 顯色度	Beam Angle 光束角度	Operating Temperature 工作溫度
	(V)	(W)	(mm)	(Hrs)	(K)	(Lm/W)	(CRI)	(°)	(°C)
PAR20-12W-B	85-265	12	Ø63*85	50000	3000/4000/6500	100	>80	15 / 24 / 36	-20~+45
PAR20-16W-B	85-265	16	Ø63*93	50000	3000/4000/6500	100	>80	15 / 24 / 36	-20~+45

- Light efficiency (lm/W), Power (W) Can be customized according to customer needs
 - This type of certification is issued by a government-approved laboratory for Safety certification, Fire testing, Restriction of Hazardous Substances (RoHS), Photobiological safety of lamps and lamp systems. (an Exemption Group) and other test certifications to ensure product quality
-
- 光效 (lm/W)、功率 (W) 可根據客戶需求定制
 - 此型號認證由可實驗室發出之安全認證消防測試, 環保物料 (RoHS), 光生物安全為 Exemption Group 及其它測試, 保證客戶使用更安心滿意

PAR Lamp

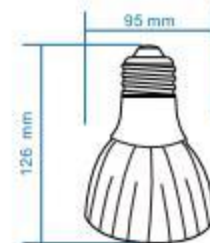
PAR燈

PAR Lamp

Series Type: PAR30-B

Features 產品特點 >>

- Energy saving and environmental protection, low energy consumption, high light efficiency, high heat dissipation, no flicker
 - Long life, low light decay, oxidation resistance, no fading
 - High power lumens LED
 - Suitable for offices, large supermarkets, stores, gyms, factory workshops, exhibition halls, stadiums, etc.
- 節能環保、低耗能、高光效、高散熱、無頻閃
 - 超長壽命、低光衰、耐氧化、不褪色
 - 使用大功率高流明LED
 - 適用於辦公場所、大型超市、賣場、健身房、工廠車間、展廳、體育場等



Unit : mm

Specification 產品規格 >>

Model 型號	Voltage 電壓	Wattage 功率	Size 尺寸	Lamp Life 光度壽命	Colour Temp 色溫	Lumen Output 輸出流明	Color Rendering 顯色度	Beam Angle 光線角度	Operating Temperature 工作溫度
	(V)	(W)	(mm)	(Hrs)	(K)	(Lm/W)	(CRI)	(°)	(°C)
PAR30-40W-B	85-265	40	Ø95*126	50000	3000/4000/6500	100	>80	15 / 24 / 36	-20~+45

- Light efficiency (lm/W), Power (W) Can be customized according to customer needs
 - This type of certification is issued by a government-approved laboratory for Safety certification, Fire testing, Restriction of Hazardous Substances(RoHS), Photobiological safety of lamps and lamp systems.(an Exemption Group) and other test certifications to ensure product quality
- 光效 (lm/W)、功率 (W) 可根據客戶需求定制
 - 此型號認證由可實驗室發出之安全認證消防測試, 環保物料 (RoHS), 光生物安全為Exemption Group及其它測試, 保證客戶使用更安心滿意

PAR Lamp

Series Type: PAR38 -A

Features 產品特點 >>

- Energy saving and environmental protection, low energy consumption, high light efficiency, high heat dissipation, no flicker
 - Long life, low light decay, oxidation resistance, no fading
 - Suitable for offices, large supermarkets, stores, gyms, factory workshops, exhibition halls, stadiums, etc.
- 節能環保、低耗能、高光效、高散熱、無頻閃
 - 超長壽命、低光衰、耐氧化、不褪色
 - 適用於辦公場所、大型超市、賣場、健身房、工廠車間、展廳、體育場等



Unit : mm

Specification 產品規格 >>

Model 型號	Voltage 電壓	Wattage 功率	Size 尺寸	Lamp Life 光度壽命	Colour Temp 色溫	Lumen Output 輸出流明	Color Rendering 顯色度	Beam Angle 光線角度	Operating Temperature 工作溫度
	(V)	(W)	(mm)	(Hrs)	(K)	(Lm/W)	(CRI)	(°)	(°C)
PAR38-15W-A	85-265	15	Ø122*130	50000	3000/4000/6500	80	>80	120	-20~+45

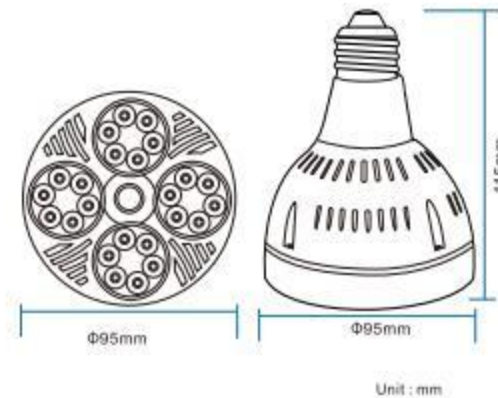
- Light efficiency (lm/W), Power (W) Can be customized according to customer needs
 - This type of certification is issued by a government-approved laboratory for Safety certification, Fire testing, Restriction of Hazardous Substances(RoHS), Photobiological safety of lamps and lamp systems.(an Exemption Group) and other test certifications to ensure product quality
- 光效 (lm/W)、功率 (W) 可根據客戶需求定制
 - 此型號認證由可實驗室發出之安全認證消防測試, 環保物料 (RoHS), 光生物安全為Exemption Group及其它測試, 保證客戶使用更安心滿意

LED PAR Light

Series Type: PAR30-A35

Features 產品特點 >>

- Adopts high heat-conducting aluminum for heat dissipation
- High-power lumen efficiency LED as the light source
- Suitable for offices, large supermarkets, stores, gyms, factory workshops, exhibition halls, stadiums, etc.
- 採用高導熱鋁散熱
- 高功率流明效率LED作為光源
- 適用於辦公室、大型超市、商場、健身房、工廠車間、展覽館、體育場館等



Specification 產品規格 >>

Model 型號	Voltage 電壓	Wattage 功率	Size 尺寸	Lamp Life 光度壽命	Colour Temp 色溫	Lumen Output 輸出流明	Color Rendering 顯色度	Beam Angle 光線角度	Operating Temperature 工作溫度
	(V)	(W)	(mm)	(Hrs)	(K)	(Lm/W)	(CRI)	(°)	(°C)
PAR30-A35	220-240	35	Ø95*115	35000	3000/4000/6000	100	>80	24 / 36	-20~+45

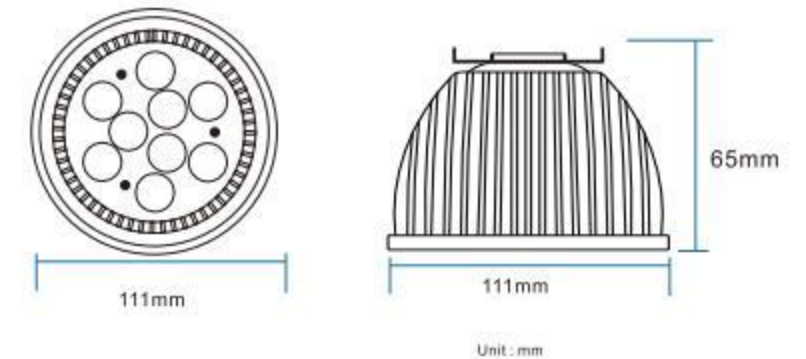
- Light efficiency (lm/W), Power (W) Can be customized according to customer needs
- This type of certification is issued by a government-approved laboratory for Safety certification, Fire testing, Restriction of Hazardous Substances(RoHS), Photobiological safety of lamps and lamp systems.(an Exemption Group) and other test certifications to ensure product quality
- 光效 (lm/W)、功率 (W) 可根據客戶需求定制
- 此型號認證由可實驗室發出之安全認證消防測試, 環保物料 (RoHS), 光生物安全為Exemption Group及其它測試, 保證客戶使用更安心滿意

LED PAR Light

Series Type: PAR111-15W

Features 產品特點 >>

- Adopts high heat-conducting aluminum for heat dissipation
- High-power lumen efficiency LED as the light source
- Suitable for offices, large supermarkets, stores, gyms, factory workshops, exhibition halls, stadiums, etc.
- 採用高導熱鋁散熱
- 高功率流明效率LED作為光源
- 適用於辦公室、大型超市、商場、健身房、工廠車間、展覽館、體育場館等。



Specification 產品規格 >>

Model 型號	Voltage 電壓	Wattage 功率	Size 尺寸	Lamp Life 光度壽命	Colour Temp 色溫	Lumen Output 輸出流明	Color Rendering 顯色度	Beam Angle 光線角度	Operating Temperature 工作溫度
	(V)	(W)	(mm)	(Hrs)	(K)	(Lm/W)	(CRI)	(°)	(°C)
PAR111-15W	220-240	15	Ø111*65	35000	3000/4000/6500	95	>80	60	-20~+45

- Light efficiency (lm/W), Power (W) Can be customized according to customer needs
- This type of certification is issued by a government-approved laboratory for Safety certification, Fire testing, Restriction of Hazardous Substances(RoHS), Photobiological safety of lamps and lamp systems.(an Exemption Group) and other test certifications to ensure product quality
- 光效 (lm/W)、功率 (W) 可根據客戶需求定制
- 此型號認證由可實驗室發出之安全認證消防測試, 環保物料 (RoHS), 光生物安全為Exemption Group及其它測試, 保證客戶使用更安心滿意

Ground Light

Series Type: GB-H108E-NF

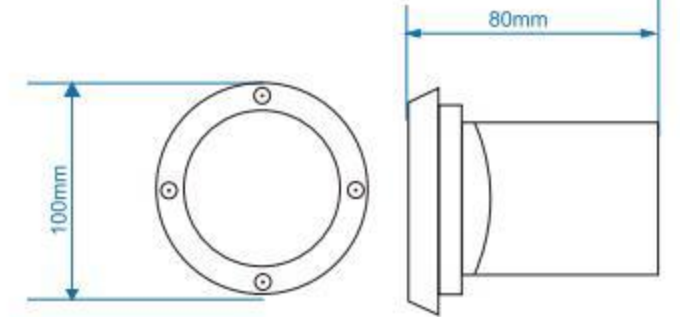
Features 產品特點 >>

- The LED ground light is ideal for both domestic and commercial applications
- The protection grade is IP67, waterproof and dust proof, safe to use
- Stable performance with built-in constant current driver,
- Made by stainless steel and aluminum, the lamp can be protected perfectly
- It's perfect for outdoor lighting such as landscape, garden, path, yard, etc



Flick Free
(無閃頻)
保護視力

- LED地面燈是家庭和商業應用的理想選擇
- 防護等級為IP67, 防水防塵, 使用安全
- 內置恆定電流驅動器, 性能穩定
- 燈由不銹鋼和鋁製成, 可以得到完美的保護
- 非常適合戶外照明, 例如景觀, 花園, 道路, 院子等



Unit : mm

Specification 產品規格 >>

Model 型號	Voltage 電壓	Wattage 功率	Size 尺寸	Lamp Life 光度壽命	Colour Temp 色溫	Lumen Output 輸出流明	Color Rendering 顯色度	Beam Angle 光束角度	Operating Temperature 工作溫度
	(V)	(W)	(mm)	(Hrs)	(K)	(Lm/W)	(CRI)	(°)	(°C)
GB-0303-H108E-NF	85-265	3	Ø100*80	50000	3000/4000/6500	100	>80	30	-20~+45

- Light efficiency (lm/W), Power (W) Can be customized according to customer needs
- This type of certification is issued by a government-approved laboratory for Safety certification, Fire testing, Restriction of Hazardous Substances (RoHS), Photobiological safety of lamps and lamp systems. (an Exemption Group) and other test certifications to ensure product quality
- 光效 (lm/W)、功率 (W) 可根據客戶需求定制
- 此型號認證由可實驗室發出之安全認證消防測試, 環保物料 (RoHS), 光生物安全為 Exemption Group 及其它測試, 保證客戶使用更安心滿意

Ground Light

地燈

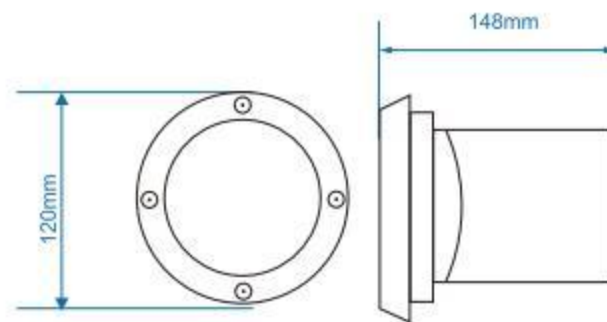
Ground Light

Series Type: GB-H108A-NF

Features 產品特點 >>

- The LED ground light is ideal for both domestic and commercial applications
- The protection grade is IP67, waterproof and dust proof, safe to use
- Stable performance with built-in constant current driver,
- Made by stainless steel and aluminum, the lamp can be protected perfectly
- It's perfect for outdoor lighting such as landscape, garden, path, yard, etc

- LED地面燈是家庭和商業應用的理想選擇
- 防護等級為IP67, 防水防塵, 使用安全
- 內置恆定電流驅動器, 性能穩定
- 燈由不銹鋼和鋁製成, 可以得到完美的保護
- 非常適合戶外照明, 例如景觀, 花園, 道路, 院子等



Unit : mm

Specification 產品規格 >>

Model 型號	Voltage 電壓	Wattage 功率	Size 尺寸	Lamp Life 光度壽命	Colour Temp 色溫	Lumen Output 輸出流明	Color Rendering 顯色度	Beam Angle 光線角度	Operating Temperature 工作溫度
	(V)	(W)	(mm)	(Hrs)	(K)	(Lm/W)	(CRI)	(°)	(°C)
GB-0303-H108A-NF	85-265	3	Ø120*148	50000	3000/4000/6500	100	>80	30	-20~+45

- Light efficiency (lm/W), Power (W) can be customized according to customer needs
- This type of certification is issued by a government-approved laboratory for Safety certification, Fire testing, Restriction of Hazardous Substances (RoHS), Photobiological safety of lamps and lamp systems. (an Exemption Group) and other test certifications to ensure product quality
- 光效 (lm/W)、功率 (W) 可根據客戶需求定制
- 此型號認證由可實驗室發出之安全認證消防測試, 環保物料 (RoHS), 光生物安全為Exemption Group及其它測試, 保證客戶使用更安心滿意

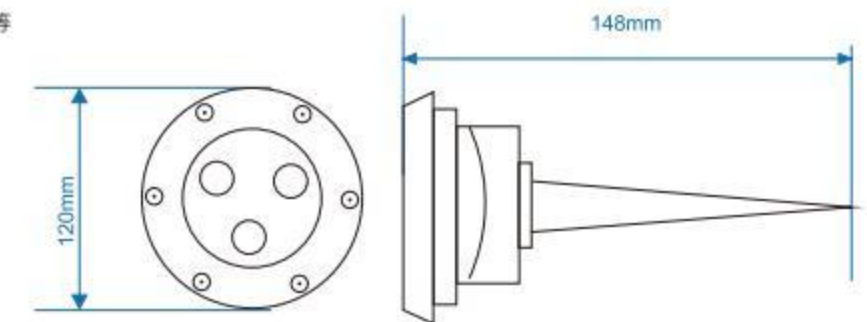
Ground Light

Series Type: GB-G108A-NF

Features 產品特點 >>

- The LED ground light is ideal for both domestic and commercial applications
- The protection grade is IP67, waterproof and dust proof, safe to use
- Stable performance with built-in constant current driver,
- Made by stainless steel and aluminum, the lamp can be protected perfectly.
- It's perfect for outdoor lighting such as landscape, garden, path, yard, etc

- LED地面燈是家庭和商業應用的理想選擇
- 防護等級為IP67, 防水防塵, 使用安全
- 內置恆定電流驅動器, 性能穩定
- 燈由不銹鋼和鋁製成, 可以得到完美的保護
- 非常適合戶外照明, 例如景觀, 花園, 道路, 院子等



Unit : mm

Specification 產品規格 >>

Model 型號	Voltage 電壓	Wattage 功率	Size 尺寸	Lamp Life 光度壽命	Colour Temp 色溫	Lumen Output 輸出流明	Color Rendering 顯色度	Beam Angle 光線角度	Operating Temperature 工作溫度
	(V)	(W)	(mm)	(Hrs)	(K)	(Lm/W)	(CRI)	(°)	(°C)
GB-0303-G108A-NF	85-265	3	Ø120*148	50000	3000/4000/6500	100	>80	30	-20~+45

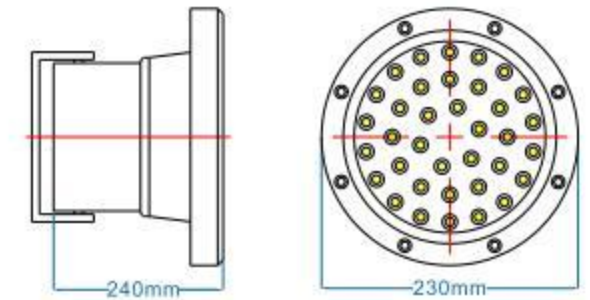
- Light efficiency (lm/W), Power (W) can be customized according to customer needs
- This type of certification is issued by a government-approved laboratory for Safety certification, Fire testing, Restriction of Hazardous Substances (RoHS), Photobiological safety of lamps and lamp systems. (an Exemption Group) and other test certifications to ensure product quality
- 光效 (lm/W)、功率 (W) 可根據客戶需求定制
- 此型號認證由可實驗室發出之安全認證消防測試, 環保物料 (RoHS), 光生物安全為Exemption Group及其它測試, 保證客戶使用更安心滿意

Under Water Light

Series Type: IPUW-2324

Features 產品特點 >>

- The LED ground light is ideal for both domestic and commercial applications
 - The protection grade is IP68, waterproof and dust proof, safe to use
 - Stable performance with built-in constant current driver
 - Made by stainless steel and aluminum, the lamp can be protected perfectly
 - It's perfect for outdoor lighting such as landscape, garden, path, yard, etc
-
- LED地面燈是家庭和商業應用的理想選擇
 - 防護等級為IP68, 防水防塵, 使用安全
 - 內置恆定電流驅動器, 性能穩定
 - 燈由不銹鋼和鋁製成, 可以得到完美的保護
 - 非常適合戶外照明, 例如景觀, 花園, 道路, 院子等



Unit : mm

Specification 產品規格 >>

Model 型號	Voltage 電壓	Wattage 功率	Size 尺寸	Lamp Life 光度壽命	Colour Temp 色溫	Lumen Output 輸出流明	Color Rendering 顯色度	Beam Angle 光束角度	Operating Temperature 工作溫度
	(V)	(W)	(mm)	(Hrs)	(K)	(Lm/W)	(CRI)	(°)	(°C)
IPUW-232436-H118A	85-265	36	Ø230*240	50000	3000/4000/6500	110	>80	90	-20~+45

- Light efficiency (lm/W), Power (W) Can be customized according to customer needs
 - This type of certification is issued by a government-approved laboratory for Safety certification, Fire testing, Restriction of Hazardous Substances (RoHS), Photobiological safety of lamps and lamp systems, (an Exemption Group) and other test certifications to ensure product quality
-
- 光效 (lm/W)、功率 (W) 可根據客戶需求定制
 - 此型號認證由可實驗室發出之安全認證消防測試, 環保物料 (RoHS), 光生物安全為Exemption Group及其它測試, 保証客戶使用更安心滿意

Under Water Light

水底燈

Under Water Light

Series Type: IPUW-0303

Features 產品特點 >>

- 304 stainless steel lamp body , waterproof Up to IP68, resistance to corrosion and cracking
- Toughened glass mask , light transmittance above 98%, uniform light
- Extension thickening integration seiko stainless steel base material to ensure good waterproof function
- Application : swimming pool , fountain and other underwater lighting

- 304不銹鋼燈體, 防水等級IP68, 耐腐蝕開裂
- 鋼化玻璃面罩, 透光率98%以上, 光線均勻
- 延伸加厚集成精工不銹鋼基材, 確保良好的防水功能
- 用途: 游泳池、噴泉等水下照明



Specification 產品規格 >>

Model 型號	Voltage 電壓	Wattage 功率	Number of LEDs 燈珠	Size 尺寸	Lamp Life 光度壽命	Colour Temp 色溫	Lumen Output 輸出流明	Color Rendering 顯色度	Beam Angle 光線角度	IP Grade 防水等級
	(V)	(W)	(pcs)	(mm)	(Hrs)	(K)	(Lm/W)	(CRI)	(°)	
IPUW-0303	12	3	3	Ø100*90	50000	3000/4000/6500	100	>80	30	IP 68

- Light efficiency (lm/W), Power (W) Can be customized according to customer needs
- This type of certification is issued by a government-approved laboratory for Safety certification, Fire testing, Restriction of Hazardous Substances(RoHS), Photobiological safety of lamps and lamp systems.(an Exemption Group) and other test certifications to ensure product quality

- 光效 (lm/W)、功率 (W) 可根據客戶需求定制
- 此型號認證由可實驗室發出之安全認證消防測試, 環保物料 (RoHS), 光生物安全為Exemption Group及其它測試, 保證客戶使用更安心滿意

Under Water Light

Series Type: IPUW-0201

Features 產品特點 >>

- 304 stainless steel lamp body , waterproof Up to IP68, resistance to corrosion and cracking
- Toughened glass mask , light transmittance above 98%, uniform light
- Extension thickening integration seiko stainless steel base material to ensure good waterproof function
- Application : swimming pool , fountain and other underwater lighting

- 304不銹鋼燈體, 防水等級IP68, 耐腐蝕開裂
- 鋼化玻璃面罩, 透光率98%以上, 光線均勻
- 延伸加厚集成精工不銹鋼基材, 確保良好的防水功能
- 用途: 游泳池、噴泉等水下照明



Specification 產品規格 >>

Model 型號	Voltage 電壓	Wattage 功率	Number of LEDs 燈珠	Size 尺寸	Lamp Life 光度壽命	Colour Temp 色溫	Lumen Output 輸出流明	Color Rendering 顯色度	Beam Angle 光線角度	IP Grade 防水等級
	(V)	(W)	(pcs)	(mm)	(Hrs)	(K)	(Lm/W)	(CRI)	(°)	
IPUW-0201	12	1	1	Ø62*60	50000	3000/4000/6500	100	>80	24	IP 68

- Light efficiency (lm/W), Power (W) Can be customized according to customer needs
- This type of certification is issued by a government-approved laboratory for Safety certification, Fire testing, Restriction of Hazardous Substances(RoHS), Photobiological safety of lamps and lamp systems.(an Exemption Group) and other test certifications to ensure product quality

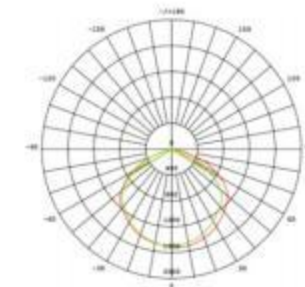
- 光效 (lm/W)、功率 (W) 可根據客戶需求定制
- 此型號認證由可實驗室發出之安全認證消防測試, 環保物料 (RoHS), 光生物安全為Exemption Group及其它測試, 保證客戶使用更安心滿意

Wall Pack Light

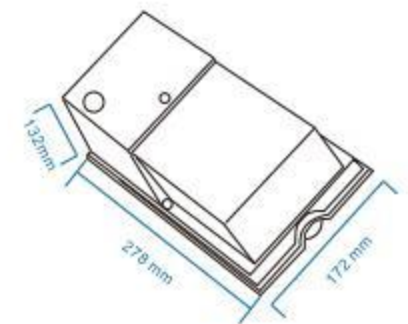
Series Type: WL-A40

Features 產品特點 >>

- High light efficiency: 100 lm/W
 - Well sealed enclosure, IP65 waterproof
 - Long life spans High quality driver
 - Easy and firm installation
 - Suitable for subway station, tunnel and bridge, etc
-
- 高光效:100 lm / W
 - 外殼密封性好, 防水等級IP65
 - 使用壽命長, 驅動器高品質
 - 安裝輕鬆且牢固
 - 適用於地鐵站, 隧道, 橋樑等



Average Beam Angle (50%) 117.7Deg



Unit : mm

Specification 產品規格 >>

Model 型號	Voltage 電壓	Wattage 功率	Size 尺寸	Lamp Life 光度壽命	Colour Temp 色溫	Lumen Output 輸出流明	Color Rendering 顯色度	Beam Angle 光束角度	Operating Temperature 工作溫度
	(V)	(W)	(mm)	(Hrs)	(K)	(lm/W)	(CRI)	(°)	(°C)
WL-A40-H108S	100~277	40	278*172*132	50000	3000/4000/6500	100	>80	120	-20~+45

- Light efficiency (lm/W), Power (W) can be customized according to customer needs
 - This type of certification is issued by a government-approved laboratory for Safety certification, Fire testing, Restriction of Hazardous Substances (RoHS), Photobiological safety of lamps and lamp systems. (an Exemption Group) and other test certifications to ensure product quality
-
- 光效 (lm/W)、功率 (W) 可根據客戶需求定制
 - 此型號認證由可實驗室發出之安全認證消防測試, 環保物料 (RoHS), 光生物安全為 Exemption Group 及其它測試, 保證客戶使用更安心滿意

Wall Pack Light

壁燈

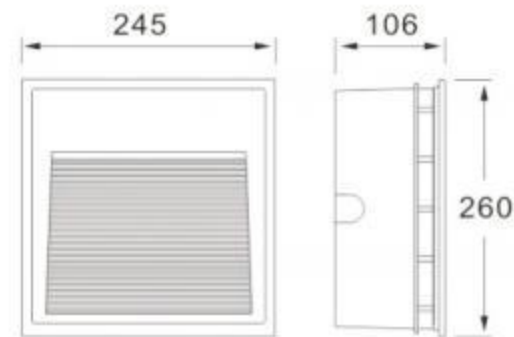
Wall Pack Light

Series Type: WL-A10

Features 產品特點 >>

- High light efficiency: 120 lm/W
- Well sealed enclosure, IP65 waterproof
- Long life spans High quality driver
- Easy and firm installation
- Apply to garden park villa and other places ,etc

- 高光效:120 lm / W
- 外殼密封性好, 防水等級IP65
- 使用壽命長, 驅動器高品質
- 安裝輕鬆且牢固
- 適用於花園公園別墅等場所



Unit : mm

Specification 產品規格 >>

Model 型號	Voltage 電壓	Wattage 功率	Size 尺寸	Lamp Life 光度壽命	Colour Temp 色溫	Lumen Output 輸出流明	Color Rendering 顯色度	Beam Angle 光速角度	Operating Temperature 工作溫度
	(V)	(W)	(mm)	(Hrs)	(K)	(Lm/W)	(CRI)	(°)	(°C)
WL-10-H128W	100~277	10	260*245*106	50000	3000/4000/6500	120	>80	60	-20~+40

- Light efficiency (lm/W),Power (W)Can be customized according to customer needs
- This type of certification is issued by a government-approved laboratory for Safety certification, Fire testing, Restriction of Hazardous Substances(RoHS), Photobiological safety of lamps and lamp systems.(an Exemption Group) and other test certifications to ensure product quality

- 光效 (lm/W)、功率 (W) 可根據客戶需求定制
- 此型號認證由可實驗室發出之安全認證消防測試, 環保物料 (RoHS), 光生物安全為Exemption Group及其它測試, 保證客戶使用更安心滿意

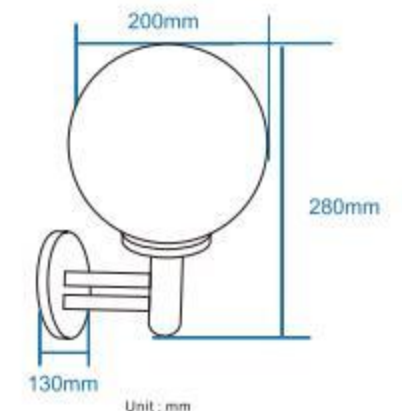
Wall Pack Light

Series Type: WL-P15

Features 產品特點 >>

- Lamp installation and fixation is simple
- Multiple protection and waterproofing with drainage holes at the bottom is safer
- Suitable for courtyard outdoor villa hotel lighting etc

- 安裝和固定簡單
- 多重防護, 底部設排水孔防水, 使用更安全
- 適用於庭院戶外別墅酒店照明等



Unit : mm

Specification 產品規格 >>

Model 型號	Voltage 電壓	Wattage 功率	Size 尺寸	Lamp Life 光度壽命	Colour Temp 色溫	Lumen Output 輸出流明	Color Rendering 顯色度	Beam Angle 光速角度	Operating Temperature 工作溫度
	(V)	(W)	(mm)	(Hrs)	(K)	(Lm/W)	(CRI)	(°)	(°C)
WL-P15-H108A	110~240	15	Ø200*280	50000	3000/4000/6500	100	>80	300	-20~+45

- Light efficiency (lm/W),Power (W)Can be customized according to customer needs
- This type of certification is issued by a government-approved laboratory for Safety certification, Fire testing, Restriction of Hazardous Substances(RoHS), Photobiological safety of lamps and lamp systems.(an Exemption Group) and other test certifications to ensure product quality

- 光效 (lm/W)、功率 (W) 可根據客戶需求定制
- 此型號認證由可實驗室發出之安全認證消防測試, 環保物料 (RoHS), 光生物安全為Exemption Group及其它測試, 保證客戶使用更安心滿意

LED Wall Pack Light

Series Type: WL-BA15

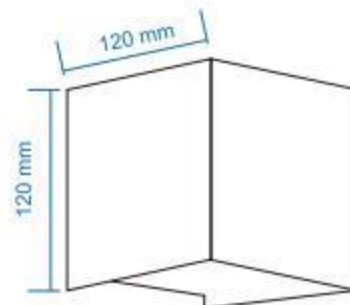
Features 產品特點 >>

- High light efficiency: 120 lm/W
- Well sealed enclosure, IP65 waterproof
- Long life spans High quality driver
- Easy and firm installation
- Suitable for walls, stepped doors, etc.

- 高光效: 120 lm/W
- 外殼密封性好, 防水等級IP65
- 使用壽命長, 驅動器高品質
- 安裝輕鬆且牢固
- 適用於牆壁、階梯門等場所



Flick Free
(無閃頻)
保護視力



Unit : mm

Specification 產品規格 >>

Model 型號	Voltage 電壓	Wattage 功率	Size 尺寸	Lamp Life 光度壽命	Colour Temp 色溫	Lumen Output 輸出流明	Color Rendering 顯色度	Beam Angle 光束角度	IP Grade 防水等級	Operating Temperature 工作溫度
	(V)	(W)	(mm)	(Hrs)	(K)	(lm/W)	(CRI)	(°)		(°C)
WL-BA15	85~265	15	120*120	30000	2700/3000/4000/6500	80	>80	120	IP 65	-20~+40

- Light efficiency (lm/W), Power (W) Can be customized according to customer needs
- This type of certification is issued by a government-approved laboratory for Safety certification, Fire testing, Restriction of Hazardous Substances (RoHS), Photobiological safety of lamps and lamp systems. (an Exemption Group) and other test certifications to ensure product quality

- 光效 (lm/W)、功率 (W) 可根據客戶需求定制
- 此型號認證由可實驗室發出之安全認證消防測試, 環保物料 (RoHS), 光生物安全為Exemption Group及其它測試, 保証客戶使用更安心滿意

LED Wall Pack Light

Series Type: WL-BAF12

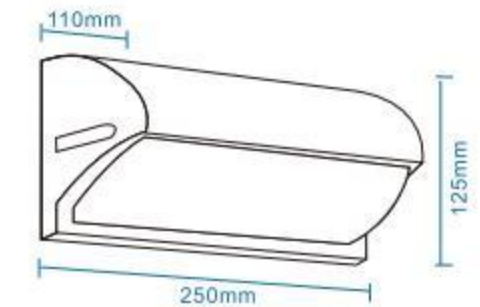
Features 產品特點 >>

- High light efficiency
- Well sealed enclosure, IP65 waterproof
- Long life spans High quality driver
- Easy and firm installation
- Suitable for walls, stepped doors, etc.

- 高光效
- 外殼密封性好, 防水等級IP65
- 使用壽命長, 驅動器高品質
- 安裝輕鬆且牢固
- 適用於牆壁、階梯門等場所



Flick Free
(無閃頻)
保護視力



Unit : mm

Specification 產品規格 >>

Model 型號	Voltage 電壓	Wattage 功率	Size 尺寸	Lamp Life 光度壽命	Colour Temp 色溫	Lumen Output 輸出流明	Color Rendering 顯色度	Beam Angle 光束角度	IP Grade 防水等級	Operating Temperature 工作溫度
	(V)	(W)	(mm)	(Hrs)	(K)	(lm/W)	(CRI)	(°)		(°C)
WL-BAF12	220~240	12	250*125*110	30000	3000/4000/6000	80	>80	120	IP 65	-20~+40

- Light efficiency (lm/W), Power (W) Can be customized according to customer needs
- This type of certification is issued by a government-approved laboratory for Safety certification, Fire testing, Restriction of Hazardous Substances (RoHS), Photobiological safety of lamps and lamp systems. (an Exemption Group) and other test certifications to ensure product quality

- 光效 (lm/W)、功率 (W) 可根據客戶需求定制
- 此型號認證由可實驗室發出之安全認證消防測試, 環保物料 (RoHS), 光生物安全為Exemption Group及其它測試, 保証客戶使用更安心滿意